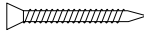
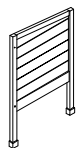
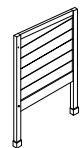
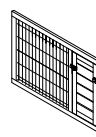
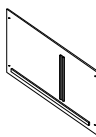
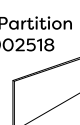
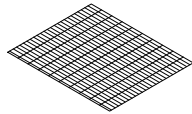
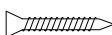



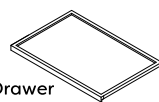
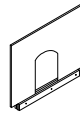
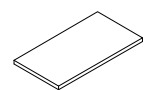
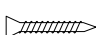
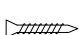
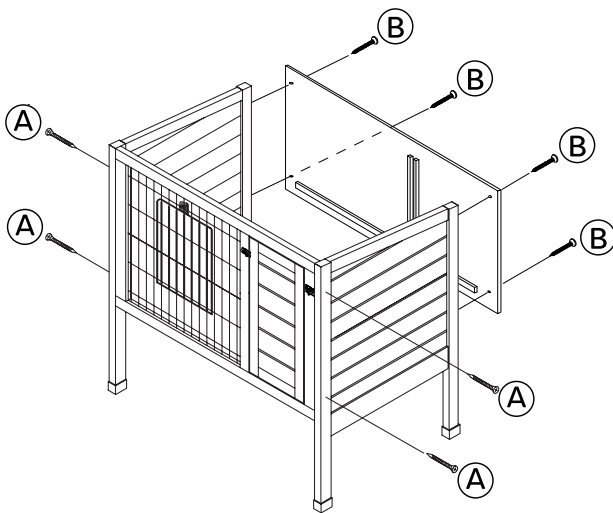
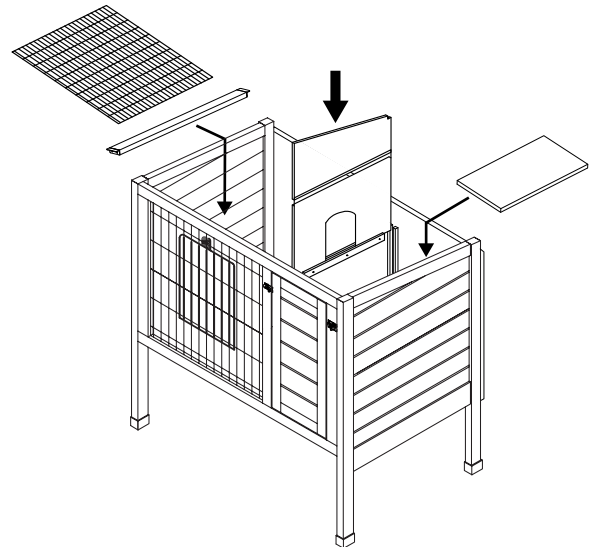


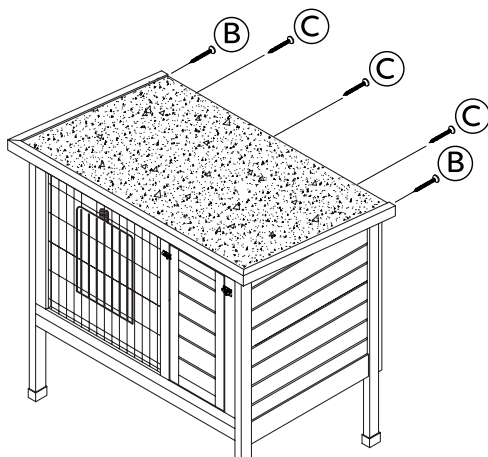
Hardware #900156		Parts									
(A)	 2- ³ / ₈ " - 4 pcs										
(B)	 1- ³ / ₈ " - 6 pcs										
(C)	 1" - 3 pcs										
(D)	 ⁵ / ₈ " - 4 pcs										



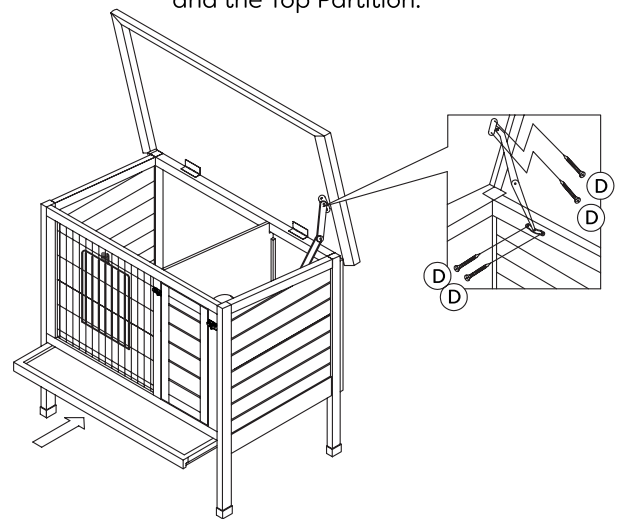
Step 1 Attach the Right Side Panel and Left Side Panel to the Front Panel using 4 - 2-³/₈" screws (A). Attach the Back Panel to the left & right Side Panels using 4 - 1-³/₈" screws (B).



Step 2 Insert the Wire Floor Support, the Wire Floor, and the Solid Floor. Slide in the Bottom Partition and the Top Partition.



Step 3 Attach the Roof to the Back Panel using 3 - 1" screws (C) and 2 - 1-³/₈" screws (B). Insert the Drawer.



Step 4 Install the Locking Hinge to the roof using 4 - ⁵/₈" screws (D). Insert the Drawer.

ware cares[™]

We care about the carbon pawprint we leave as a company and are committed to using recycled and recyclable material in the manufacturing of our packaging and pet products.

Care Tip

To protect the wood on your hutch you need to re-apply the protective stain finish at least 1x each year. Use a safe and non-toxic water based stain (available at your local paint or hardware center). Keep hutch in a safe area away from high winds and extreme temperatures.

If you have any questions or concerns about this product contact our customer service department at 1-800-295-2243 Mon-Fri 8:00 - 4:00 MST or email us at hello@warepet.com

#30001515

Ware Mfg., Inc. claims copyright protection under U.S. and International Copyright Law in the attached sculptural work and in the content of this packaging. Copyright ©2022 Ware Mfg., Inc. All rights reserved.