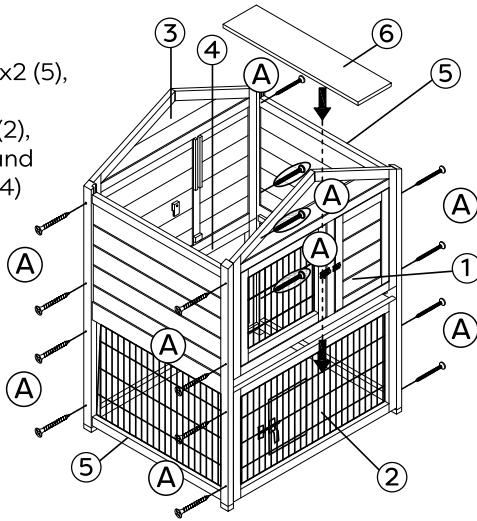


Hardware #900108 (A) 2" - 16 pcs (B) 1-3/8" - 6 pcs (C) 1" - 2 pcs (D) 5/8" - 10 pcs (L) Left Hinge - 1 pc #900288 (R) Right Hinge - 1 pc #900289		(1) Front Panel Top #900193 (2) Front Panel Bottom #900157 (3) Back Panel Top #900159 (4) Back Panel Bottom #902562 (5) Left & Right Side Panels #900068 (6) Base Platform #900167 (7) Middle Floor Panel #900196 (8) Ramp #900158 (9) Partition #900165 (10) Pull Pan #900018 (11) Left Roof Panel #900142 (12) Right Roof Panel #900044 (13) Ridge Cap #900067
----------------------------------------------------------------------------------------------------------------------------------------------------------------------------------------------------------------------	--	-------------------------------------------------------------------------------------------------------------------------------------------------------------------------------------------------------------------------------------------------------------------------------------------------------------------------------------------------------------------------------------------------------------------------------------------------------------------------------------------------

Step 1

Position Side Panels x2 (5), Front Panel Top (1), Front Panel Bottom (2), Back Panel Top (3), and Back Panel Bottom (4) as pictured.

Connect using 16- 2" screws (A).



Insert the Base Platform (6) into the bottom section so it rests on the lower edge inside.

Step 2

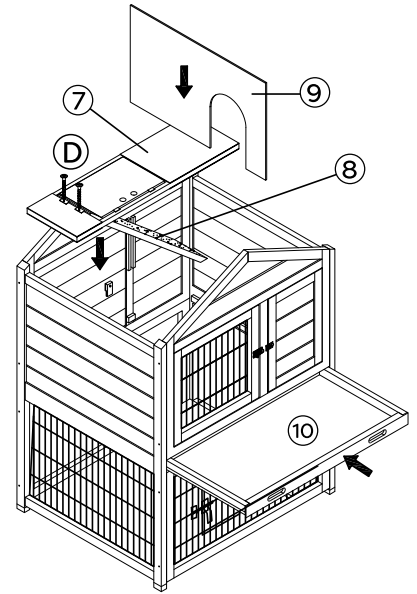
Attach Ramp (8) to the Middle Floor (7) using 2- 5/8" screws (D).

Insert the Ramp and Middle Floor assembly.

Insert the Partition (9) between the guide rails on the Front and Back Panels.

Insert the Pull Pan (10).

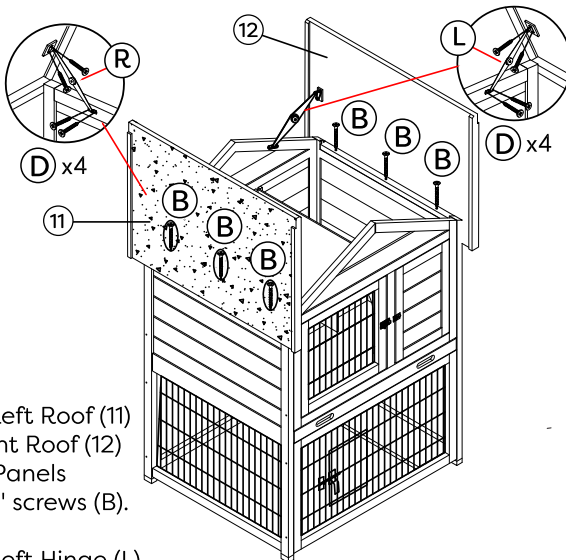
***The Middle Floor doorway between the upper and lower levels can be locked open or closed as needed.



Step 3

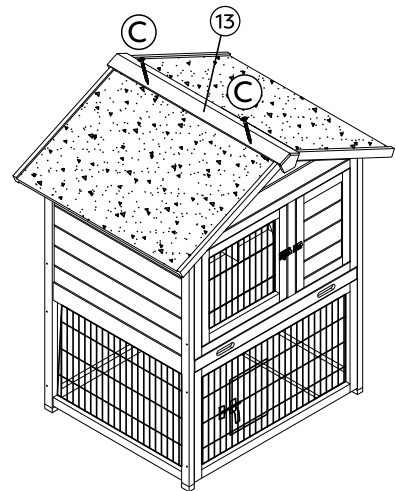
Attach the Left Roof (11) and the Right Roof (12) to the Side Panels using 6- 1 3/8" screws (B).

Attach the Left Hinge (L) and Right Hinge (R) using 8- 5/8" screws (D).



Step 4

Secure the Ridge Cap (13) to the Left Roof using 2-1" screws (C).



Care Tip

To protect the wood on your hutch you need to re-apply the protective stain finish at least 1x each year. Use a safe and non-toxic water based stain (available at your local paint or hardware center). Keep hutch in a safe area away from high winds and extreme temperatures.