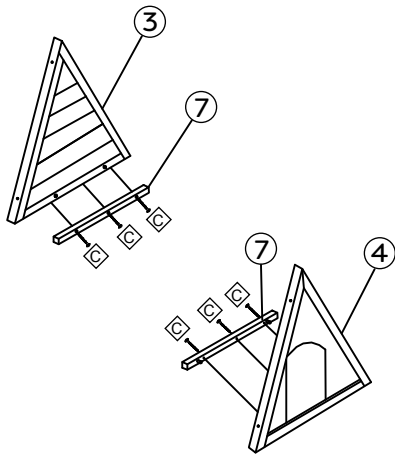


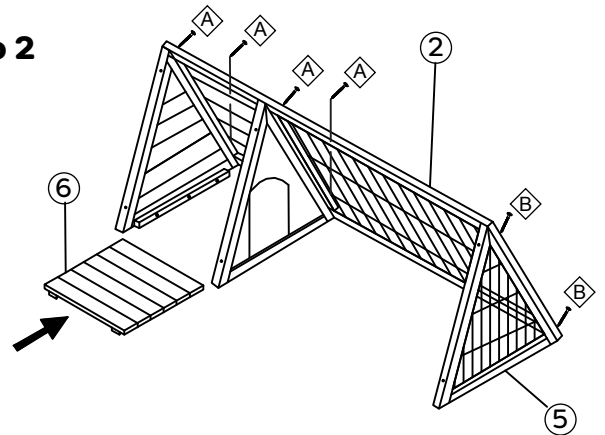
Hardware #902584		① Front Panel #900174		② Back Panel #902576		③ Left Panel #902577		④ Middle Panel #902578		⑤ Right Panel #902579		⑥ Floor Panel #902580	
Ⓐ	2" – 8 pcs												
Ⓑ	1½" – 12 pcs												
Ⓒ	¼" – 6 pcs												
						⑦ Floor Support bar #902581 X2		⑧ Ridge Cap Handle (Left) #902582		⑨ Ridge Cap Handle (Right) #902583			

Step 1



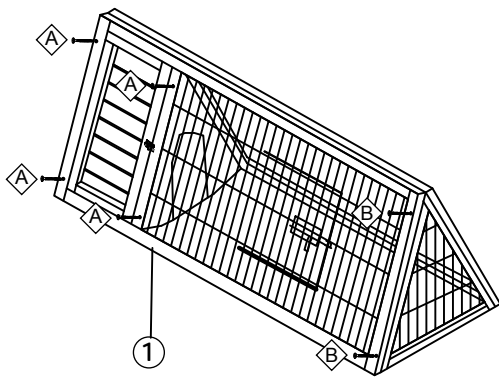
Install Floor Support Bars on Left Panel (3) and Middle Panel (4) using 6- ¼" Screws (C).

Step 2



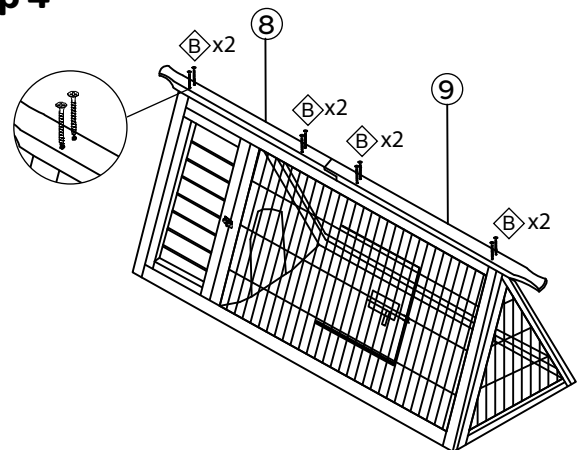
Position Back Panel (2) (no doorway) onto Left Panel, Middle Panel, and Right Panel and secure with 4- 2" screws (A) and 2- 1½" screws (B). Place Floor Panel (6) onto Floor Support Bars between the Left and Middle Panels.

Step 3



Position Front panel onto hutch and secure using 4- 2" screws (A) and 2- 1½" screws (B).

Step 4



Secure the Ridge Cap Handle Left (8) and the Ridge Cap Handle Right (9) to the hutch assembly using 8- 1½" screws (B).

ware cares™

We care about the carbon pawprint we leave as a company and are committed to using recycled and recyclable material in the manufacturing of our packaging and pet products.

Care Tip

To protect the wood on your hutch you need to re-apply the protective stain finish at least 1x each year. Use a safe and non-toxic water based stain (available at your local paint or hardware center). Keep hutch in a safe area away from high winds and extreme temperatures.

If you have any questions or concerns about this product contact our customer service department at 1-800-295-2243 Mon-Fri 8:00 – 4:00 MST or email us at hello@warepet.com

#30001533

Ware Mfg., Inc. claims copyright protection under U.S. and International Copyright Law in the attached sculptural work and in the content of this packaging. Copyright ©2019 Ware Mfg., Inc. All rights reserved.