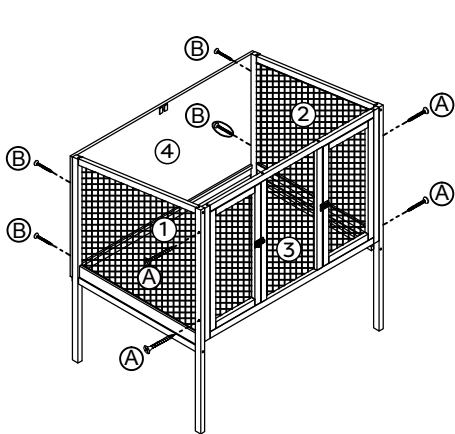
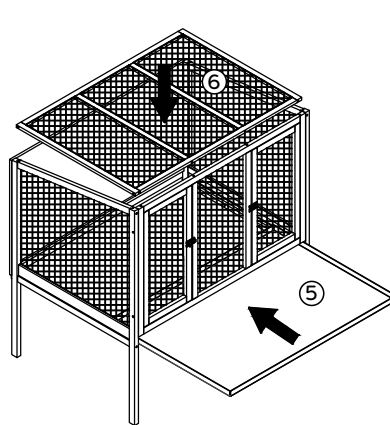


<p><b>Hardware #900129</b></p> <p>(A)  2" - 4 pcs</p> <p>(B)  1-3/8" - 6 pcs</p> <p>(C)  5/8" - 8 pcs</p> <p>(D)  1/2" - 4 pcs</p>		<p>(1)  Left Side Panel #902070</p> <p>(2)  Right Side Panel #902861</p> <p>(3)  Front Panel #902071</p> <p>(4)  Back panel #900588</p> <p>(5)  Pull-Pan #900033</p> <p>(6)  Floor Panel #900264</p> <p>(7)  Divider Panel #900202</p> <p>(8)  Roof #900073</p> <p>(L)  Left Locking Hinge #902529</p> <p>(R)  Right Locking Hinge #902531</p>	
--	--	--	--



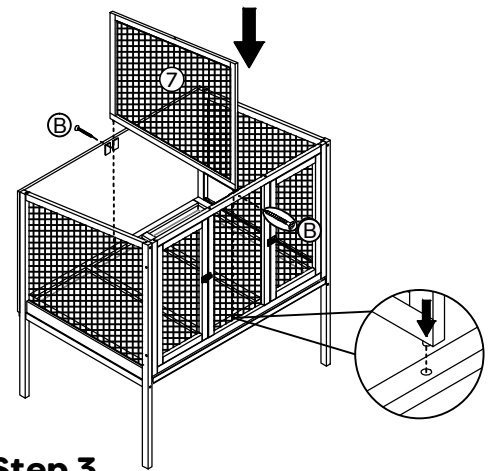
**Step 1**

Attach the Left Side Panel (1) and Right Side Panel (2) to the Front Panel (3) using 4 - 2" screws (A). Attach the Back Panel (4) to the left & right Side Panels using 4 - 1-3/8" screws (B).



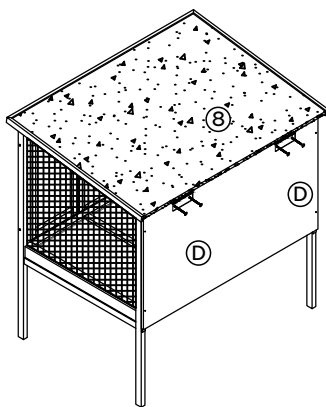
**Step 2**

Insert the Wire Floor (6) and the Pull-Pan (5).



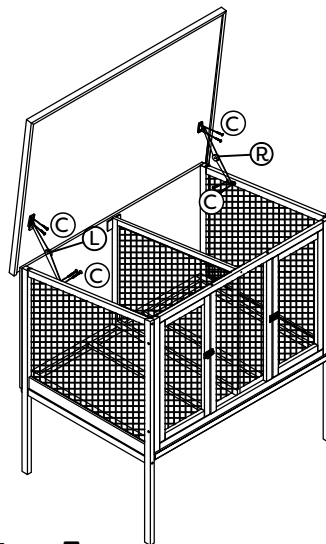
**Step 3**

Insert the Divider Panel (7) into the hutch using the guide rails - be sure the wooden dowels are secured to the Floor Panel. Using 2 - 1-3/8" screws (B) secure the Divider Panel to the Front and Back Panels.



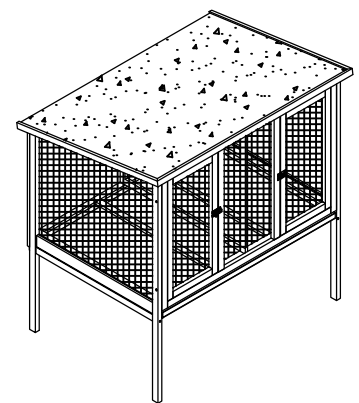
**Step 4**

Attach the Roof (8) to the Back Panel using 4 - 1/2" screws (D).



**Step 5**

Install the Left Locking Hinge (L) and Right Locking Hinge (R) to the roof and side panels using 8 - 5/8" screws (C).



**fully assembled double rabbit hutch**