

Hardware: #900961

- A** 12 - 2³/₈" Nuts & Bolts
- B** 5 - 1" Screws
- C** 8 - 3/4" Screws
- D** 3 - Stars

Locking Opener (2)

Roof Panel with hinge #900968

Side Floor Panel (2) #900964

Center Floor Panel #900965

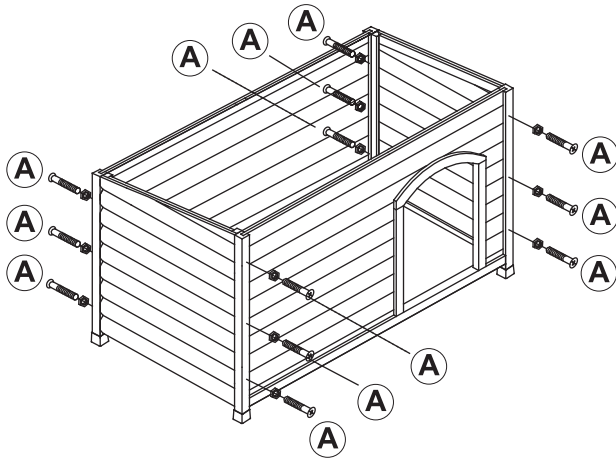
Left Side Panel #900966

Right Side Panel #900967

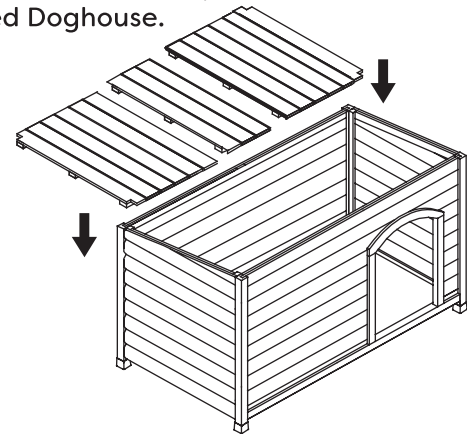
Back Panel #90962

Front Panel #900963

Step 1 Connect the Front Panel and the Back Panel to the Left and Right Side Panels using 12-2³/₈" Nuts and Bolts (A). Slide feet onto wooden legs.

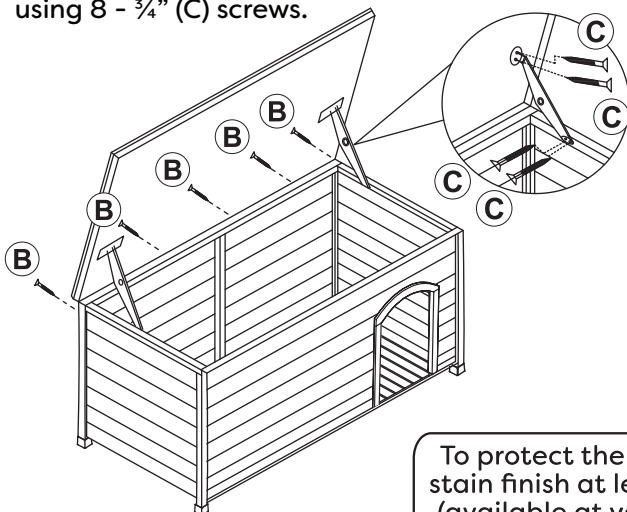


Step 2 Insert the 3 piece Floor Panel into the assembled Doghouse.

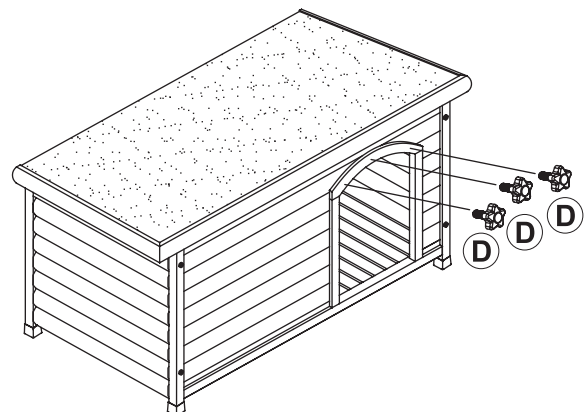


Tip: The corners of the two end pieces are notched to fit into the corners of the doghouse. The center piece does not have notches.

Step 3 Attach Roof panel with hinge to assembled doghouse using 5 - 1" (B) screws. Next, attach locking openers on each side using 8 - 3/4" (C) screws.



Step 4 Attach 3 star shaped bolts (D) on dog door frame in threaded holes.



To protect the wood on your doghouse you need to re-apply the protective stain finish at least 1x each year. Use a safe and non-toxic water based stain (available at your local paint or hardware center). Keep doghouse in a safe area away from high winds and extreme temperatures.