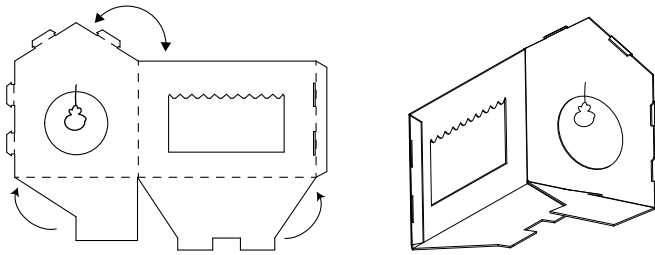
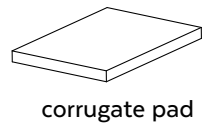
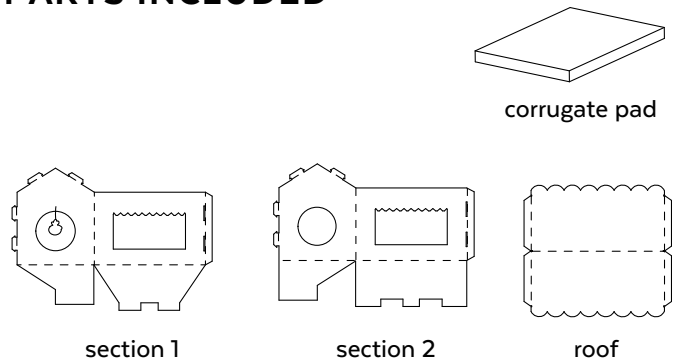


Step 1

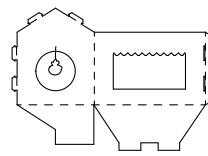


Fold section 1

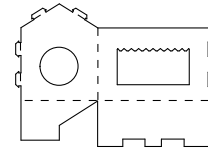
PARTS INCLUDED



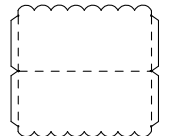
corrugate pad



section 1

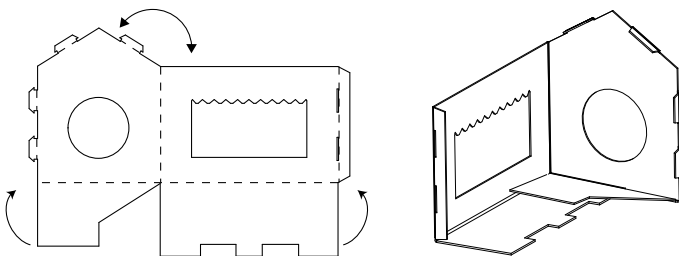


section 2



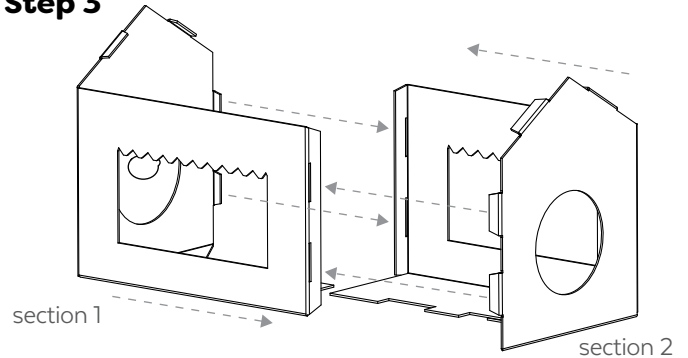
roof

Step 2



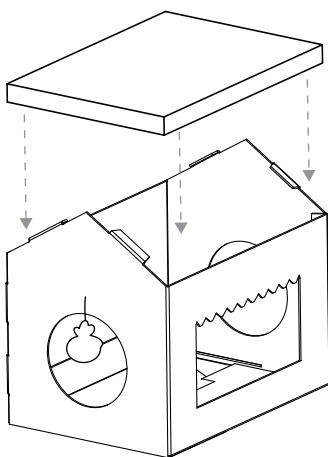
Fold section 2

Step 3



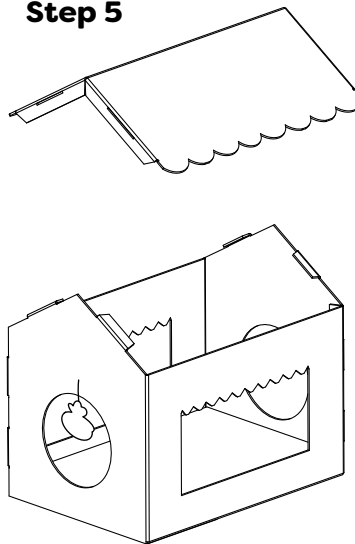
Connect section 1 and section 2

Step 4

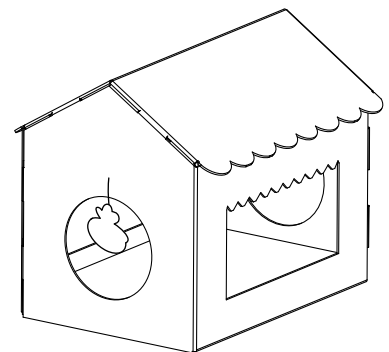


Insert corrugate pad

Step 5



Attach roof



Assembly complete