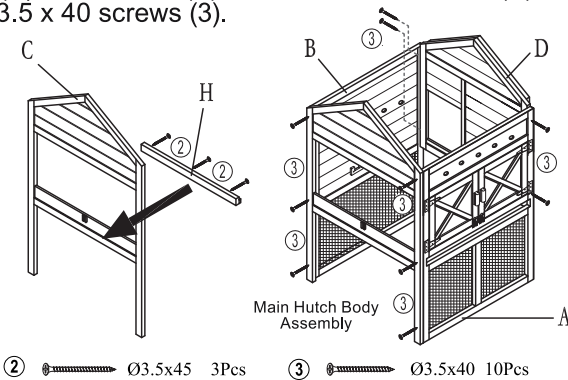


<p>① Ø 3.5x60 10 pcs</p> <p>② Ø 3.5x45 7 pcs</p> <p>③ Ø 3.5x40 32 pcs</p> <p>④ Ø 3.5x35 30 pcs</p> <p>⑤ Ø 3.5x25 36 pcs</p> <p>⑥ Ø 3x16 4 pcs</p> <p>Hardware: #902096</p>	<p>A </p> <p>Front Door Panel #902097</p>	<p>B </p> <p>Back Panel #902098</p>	<p>C </p> <p>Left Panel #902099</p>	<p>D </p> <p>Right Panel #902100</p>	<p>E </p> <p>Large Pen Front Panel #902101</p>	<p>F </p> <p>Large Pen Back Panel #902102</p>	<p>G </p> <p>Large Pen Right Panel #902103</p>
	<p>H </p> <p>Left Panel Post #902104</p>	<p>I x 2 </p> <p>Small Pen Front/Back #902105</p>	<p>J </p> <p>Small Pen Door #902106</p>	<p>K x 2 </p> <p>Nest Box Sides #902107</p>	<p>L </p> <p>Nest Box Front #902108</p>	<p>M x 2 </p> <p>Gable Roof Front/Back #902109</p>	<p>N x 2 </p> <p>Gable Roof Sides #902110</p>
	<p>O x 2 </p> <p>Large Pen Support Bars #902111</p>	<p>P x 2 </p> <p>Pull Pan Support Bars #902112</p>	<p>Q </p> <p>Pull Pan #902113</p>	<p>R </p> <p>Ladder #902114</p>	<p>S </p> <p>Nest Box Floor #902115</p>	<p>T </p> <p>Nest Box Divider #902116</p>	<p>U x 4 </p> <p>Roof Panel #902117</p>
	<p>V </p> <p>Nest Box Roof #902118</p>	<p>W x 2 </p> <p>Gable Roof Panel #902119</p>	<p>X x 2 </p> <p>Long Roof Ridge Cap #902120</p>	<p>Y </p> <p>Gable Roof Ridge Cap #902121</p>	<p>Z x 2 </p> <p>Short Roof Ridge Cap #902122</p>	<p>A1 x 4 </p> <p>Handles #902123</p>	

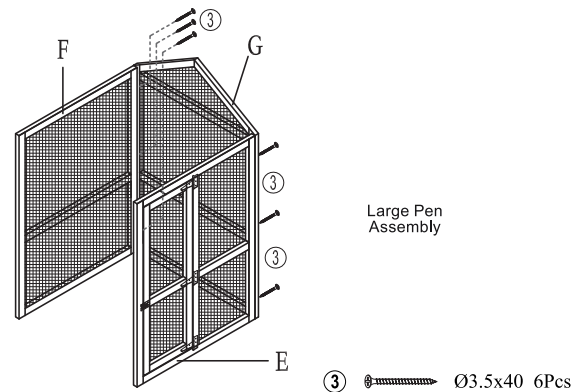
Step 1

Attach the Left Panel (H) to the Left Panel (C) using three Ø3.5 x 45 screws (2). Assemble the Main Hutch Body by attaching the Left Panel (C), Right Panel (D), Back Panel (B), and Front Door Panel (A) using ten Ø3.5 x 40 screws (3).



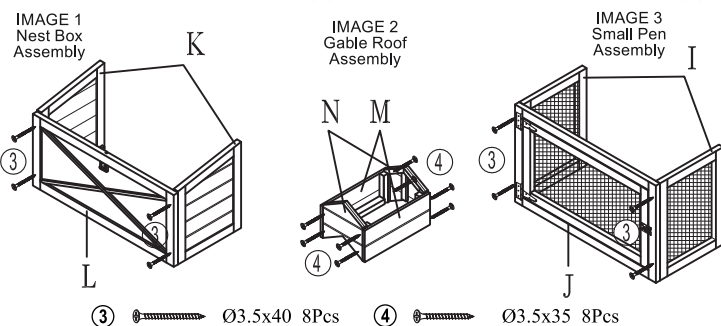
Step 2

Assemble the Large pen by attaching the Large Pen Front (E), Large Pen Back Panel (F), and Large Pen Right Panel (G) using six Ø5.5 x 40 screws (3).



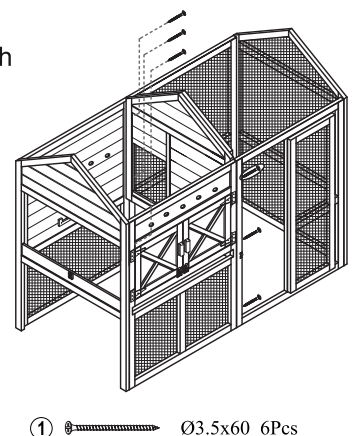
Step 3

IMAGE 1 - Attach the Nest Box (K) to the Nest Box Front (L) using four Ø3.5 x 40 screws (3).
IMAGE 2 - Attach the Gable Roof Front & Back (M) to the Gable Roof Sides (N) using four Ø3.5 x 35 screws (4).
IMAGE 3 - Attach the Small Pen Front & Back Panels (I) to the Small Pen Door Panel (J) using four Ø3.5 x 40 screws (3).



Step 4

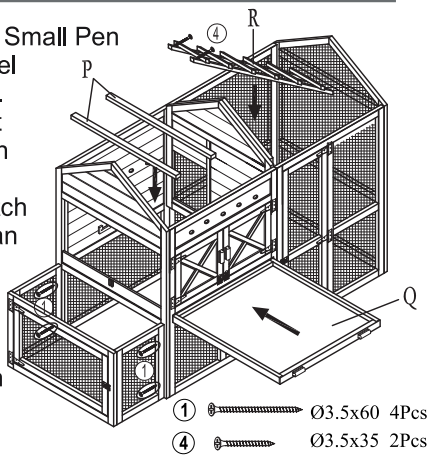
Attach the Large Pen Assembly to the main hutch assembly using six Ø3.5 x 60 screws (1).



Step 5

Attach the Small Pen

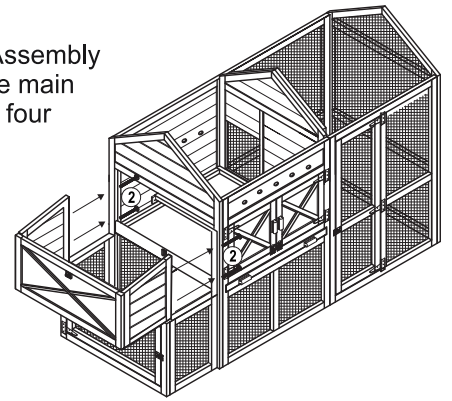
Assembly to the Right Panel using Ø3.5 x 60 screws (1). Place the Pull Pan Support (P) into the wood frames on the Front Door Panel and Back Panel of the main hutch assembly. Slide the Pull Pan (Q) into the Slot of the Front Door Pane. Screw the Ladder (R) into the base of the small door on the Right Panel of the main hutch assembly using two Ø3.5 x 35 screws (4).



- ① Ø3.5x60 4Pcs
- ④ Ø3.5x35 2Pcs

Step 6

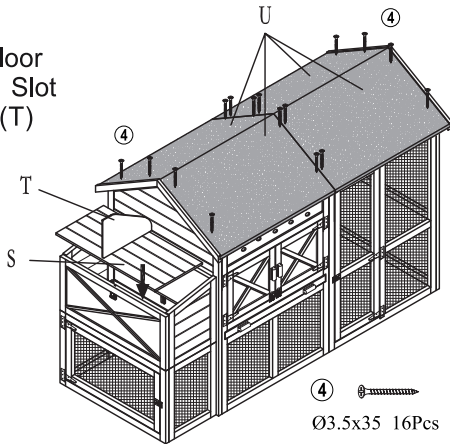
Attach the Nest Box Assembly to the Left Panel of the main hutch assembly using four Ø3.5x45 screws (2).



- ② Ø3.5x45 4Pcs

Step 7

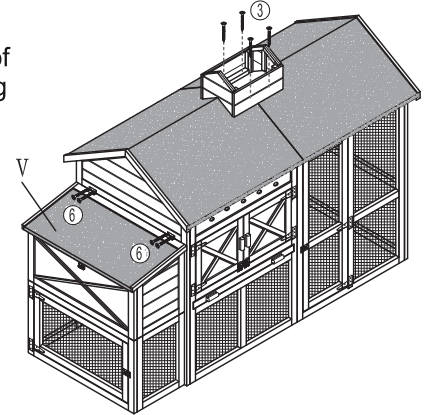
Place the Nest Box Floor (S) into the Nest box. Slot the Nest Box Divider (T) into position on the Nest Box Floor. Assemble the Four Roof Panels to the Main Hutch Assembly and the Large Pen Assembly using sixteen Ø3.5 x 35 screws (4).



- ④ Ø3.5x35 16Pcs

Step 8

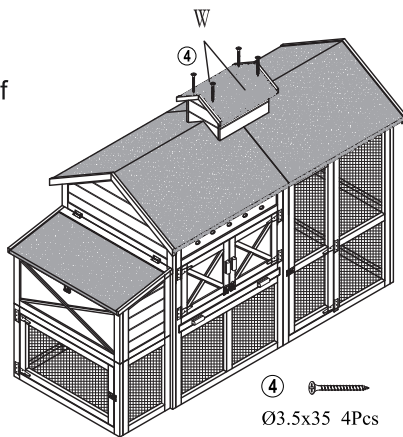
Attach the Nest Box Roof (V) to the Nest Box using four 3 x 16 screws (6). Attach the Gable Roof Assembly to the Main Roof using four Ø3.5 x 40 screws (3).



- ③ Ø3.5x40 4Pcs
- ⑥ Ø3x16 4Pcs

Step 9

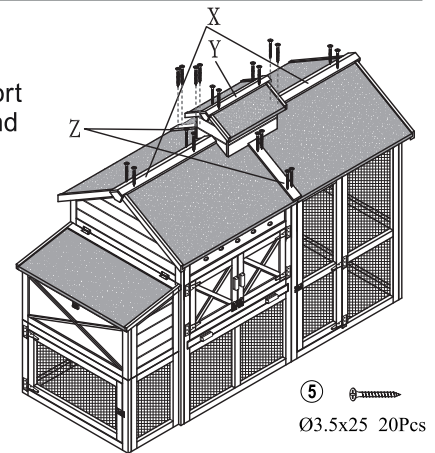
Attach the Gable Roof Panels to the Gable Roof Assembly using four Ø3.5 x 35 screws (4).



- ④ Ø3.5x35 4Pcs

Step 10

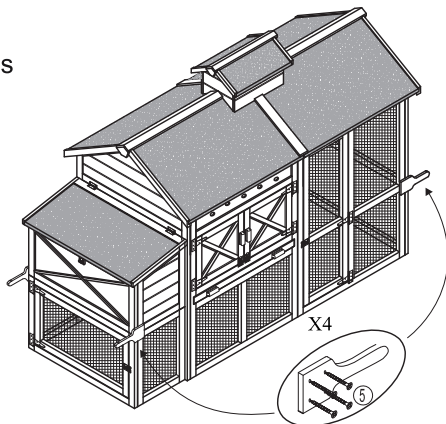
Attach the Long Roof Ridge Caps (X), the Short Roof Ridge Caps (Z), and the Gable Roof Ridge Cap (Y) using twenty Ø3.5 x 25 screws (5).



- ⑤ Ø3.5x25 20Pcs

Step 11

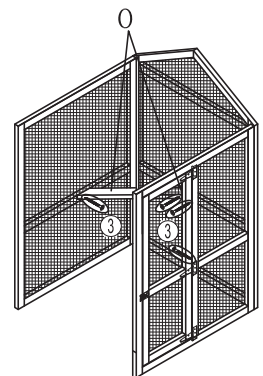
Attach the four Handles (A1) using sixteen Ø3.5 x 25 screws (5).



- ⑤ Ø3.5x25 16Pcs

Step 12

Attach the Large Pen Support (O) to the Large Assembly using four Ø3.5 x 40 screws (3).



- ③ Ø3.5x40 4Pcs

ware cares™

We care about the carbon pawprint we leave as a company and are committed to using recycled and recyclable material in the manufacturing of our packaging and pet products.

Care Tip

To protect the wood on your hutch you need to re-apply the protective stain finish at least 1x each year. Use a safe and non-toxic water based stain (available at your local paint or hardware center). Keep hutch in a safe area away from high winds and extreme temperatures.

If you have any questions or concerns about this product contact our customer service department at 1-800-295-2243 Mon-Fri 8:00 - 4:00 MST or email us at hello@warepet.com

#30001518

Ware Mfg., Inc. claims copyright protection under U.S. and International Copyright Law in the attached sculptural work and in the content of this packaging. Copyright ©2019 Ware Mfg., Inc. All rights reserved.