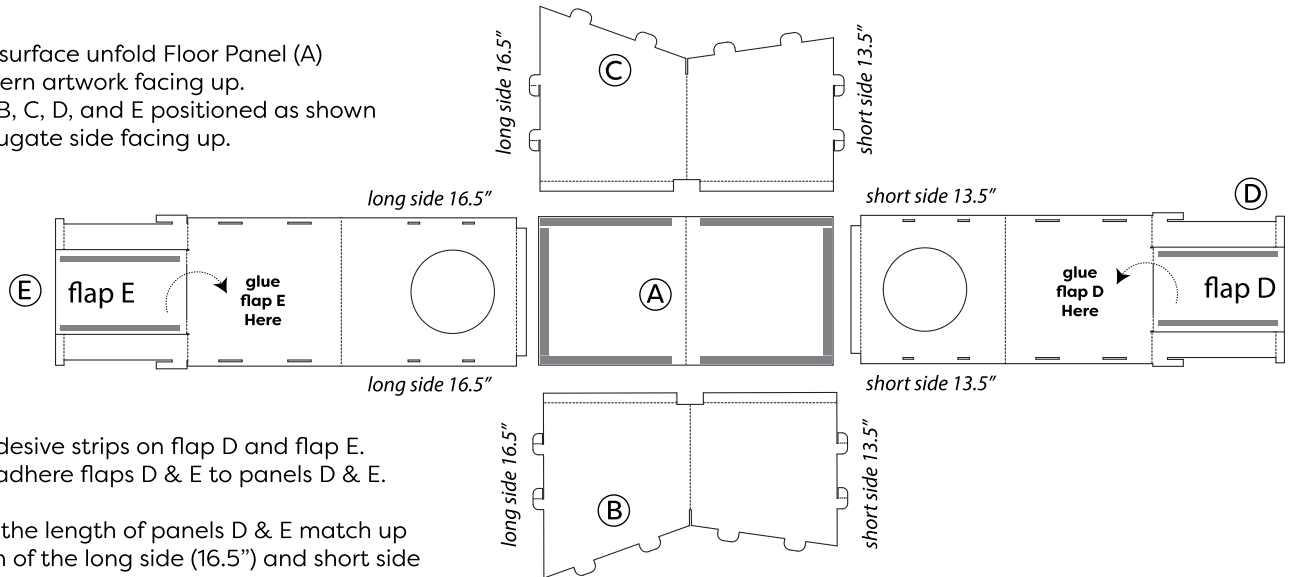


**Step 1**

On a flat level surface unfold Floor Panel (A) with brick pattern artwork facing up. Unfold panels B, C, D, and E positioned as shown with plain corrugate side facing up.

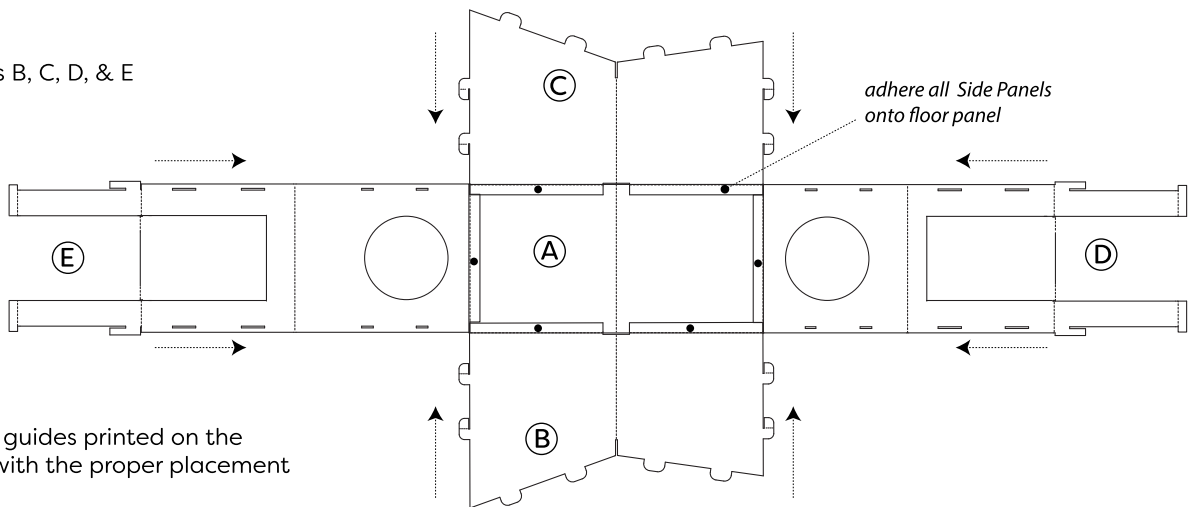


Unpeel the adhesive strips on flap D and flap E. Fold over and adhere flaps D & E to panels D & E.

**NOTE:** be sure the length of panels D & E match up with the length of the long side (16.5") and short side (13.5") of panels B & C.

**Step 2**

Carefully adhere panels B, C, D, & E to the Floor Panel (A).



**NOTE:** Use the position guides printed on the Floor Panel (A) to help with the proper placement of the side panels.



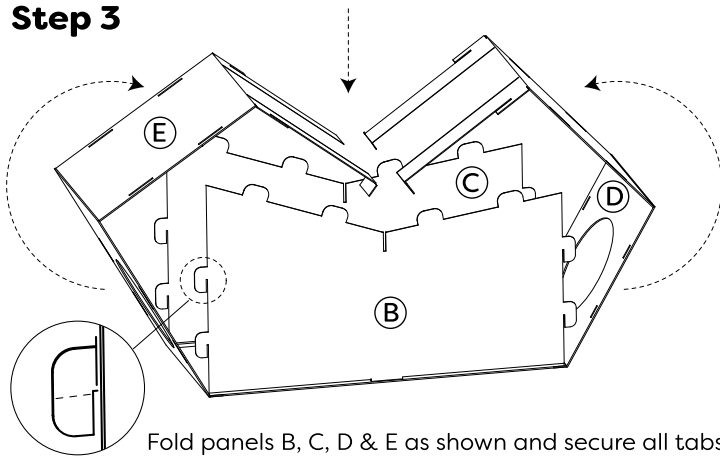
We care about the carbon pawprint we leave as a company and are committed to using recycled and recyclable material in the manufacturing of our packaging and pet products.

#30015048

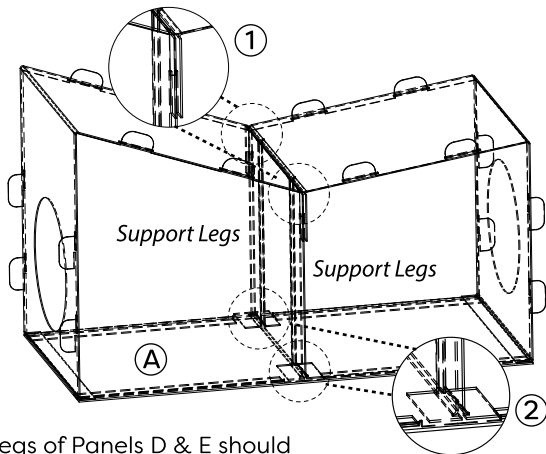
Ware Mfg., Inc. claims copyright protection under U.S. and International Copyright Law in the attached sculptural work and in the content of this packaging. Copyright ©2019 Ware Mfg., Inc. All rights reserved.

If you have any questions or concerns about this product contact our customer service department at 1-800-295-2243 Mon-Fri 8:00 – 4:00 MST or email us at [hello@warepet.com](mailto:hello@warepet.com)

### Step 3

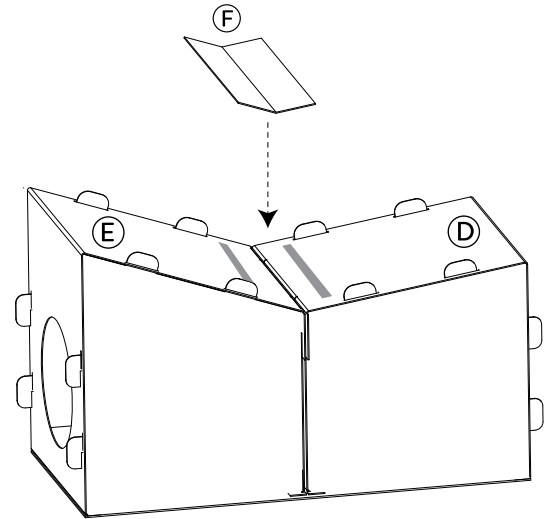


Fold panels B, C, D & E as shown and secure all tabs on Panels B & C through the slots on panels D & E.



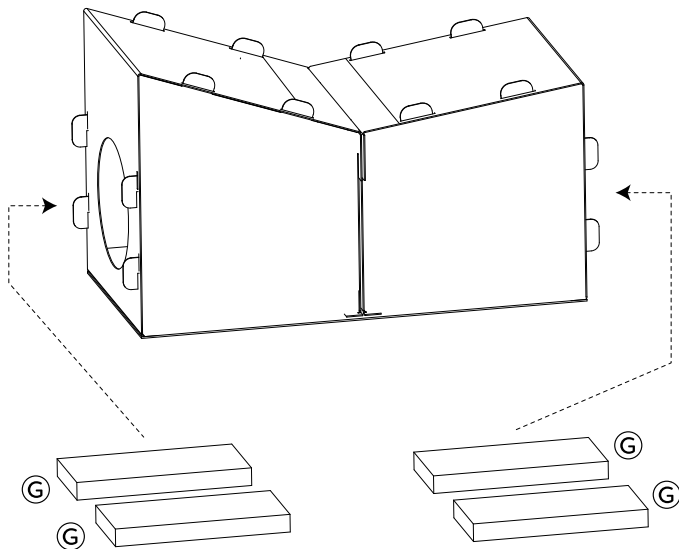
Support Legs of Panels D & E should extend perpendicular to the Floor Panel (A). Vertical slots on roof (1) and tabs on the end of the support legs should slot through Panels B & C.

### Step 4



Unpeel adhesive strips on panels D & E. Carefully adhere the Roof Connector (F).

### Step 5



Insert the four Corrugate Scratch Pads (G) through the round door openings and position on the floor.

*Assembled Contemporary Kitty*

