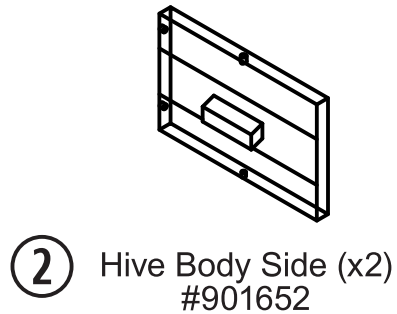
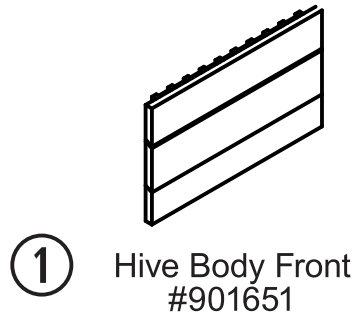
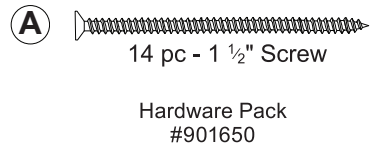
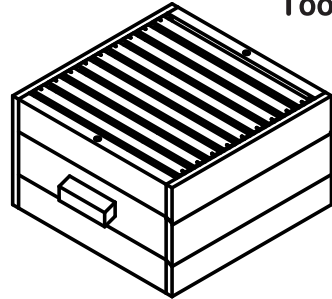


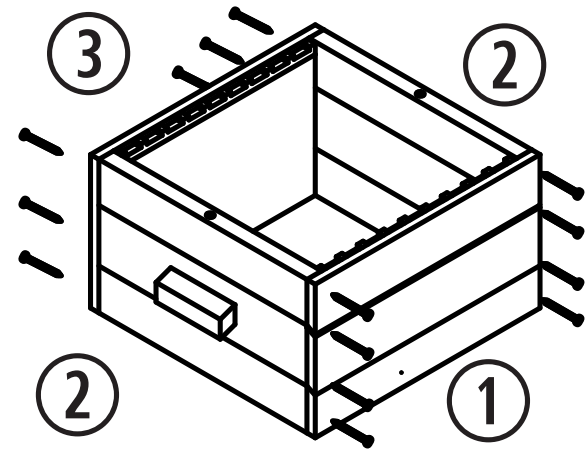
# Home Harvest Hive Body Add-On

## Item #18003 Assembly Instructions

Tools Required: Phillips Head Screwdriver

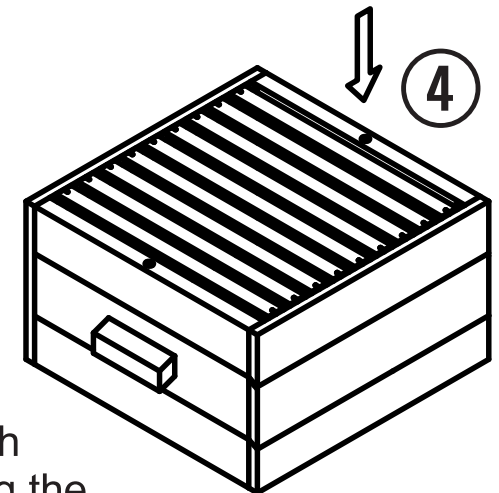


### STEP 1



Assemble Hive Box Body by attaching a Hive Body Front and Hive Body Back onto two Hive Body Sides using 14 – 1 1/2" (A) Screws.

### STEP 2



Place 9 Top Bars into each hive box assembly, placing the bars into the notches on the top of the hive boxes.

Item #18003



If you have any questions or concerns, **DO NOT RETURN TO STORE.**  
Contact our customer service department at 1-800-295-2243 and we will help you with any problems, Mon-Fri 8:00 - 4:00 MST or access our website at [www.waremfginc.com](http://www.waremfginc.com).

#### Care Tip

To protect the wood on your hive you need to re-apply the protective stain finish at least 1x each year. Use safe and non-toxic water based stain (available at your local paint or hardware center). Keep hive in a safe area away from high winds and extreme temperatures and check your hive regularly.



#30018003



JOB # 18003  
PRODUCT Home Harvest Body\_Add\_On  
FILE NAME 18003\_Home\_Harvest\_Hive\_Body\_Addon\_Directions\_OL.ai  
PACKAGING A4  
TODAYS DATE 10-3-14 DATE SENT  
VENDOR Wendy  
CONTACT Gutian Defan / DFPETS